

Техническое описание продукта P DIM PAR16 3.4 W/930 GU10

PARATHOM DIM PAR 16 | Диммируемые светодиодные рефлекторные лампы PAR16 со штырьковым цоколем Retrofit



Техническое описание продукта

Technical data

Электрические параметры

ZLDV_Claimed equiv. conventional lamp power [AGGR]	35 W
ZLDV_Operating frequency [AGGR]	50/60 Hz
ZLDV_Nominal current [AGGR]	26 mA

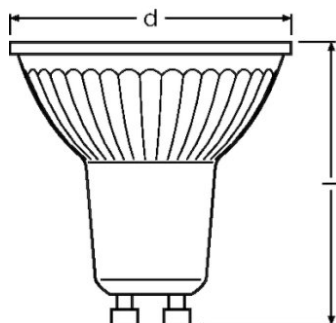
Фотометрические данные

ZLDV_Luminous intensity [AGGR]	630 cd
ZLDV_Light color (designation) [AGGR]	Warm White
ZLDV_Nominal useful luminous flux 90° [AGGR]	230 lm
ZLDV_Rated peak intensity [AGGR]	630 cd
ZLDV_Luminous flux [AGGR]	230 lm

Светотехнические параметры

ZLDV_Beam angle [AGGR]	36 °
ZLDV_Rated beam angle (half peak value) [AGGR]	36.00 °

Размеры и вес



ZLDV_Overall length [AGGR]	54.00 mm
ZLDV_Product weight [AGGR]	48.00 g
ZLDV_Maximum diameter [AGGR]	51 mm

Температуры и условия управления

ZLDV_Ambient temperature range [AGGR]	-20...+40 °C
---------------------------------------	--------------

Срок службы

ZLDV_Lumen maintenance at end of service life [AGGR]	0.7
--	-----

Техническое описание продукта

Дополнительные данные

ZLDV_Mercury content [AGGR]	0.0 mg
ZLDV_Mercury-free [AGGR]	Yes
Утилизация по WEEE	Да
ZLDV_Product remark [AGGR]	All technical parameters apply to the entire lamp Due to the complex production process for light-emitting diodes, the typical values shown for the technical LED parameters are purely statistical values that do not necessarily match the actual technical parameters of each individual product, which can vary from the typical value

Сертификаты и Стандарты

ZLDV_Energy efficiency class [AGGR]	G
ZLDV_Energy consumption [AGGR]	4.00 kWh/1000h

Environmental information

Information according Art. 33 of EU Regulation (EC) 1907/2006 (REACH)	
Date of Declaration	18-04-2022
Primary Article Identifier	4058075259959
Declaration No. in SCIP database	In work

Ecodesign regulation information:

Separate control gear and light sources must be disposed of at certified disposal companies in accordance with Directive 2012/19/EU (WEEE) in the EU and with Waste Electrical and Electronic Equipment (WEEE) Regulations 2013 in the UK. For this purpose, collection points for recycling centres and take-back systems (CRSO) are available from retailers or private disposal companies, which accept separate control gear and light sources free of charge. In this way, raw materials are conserved and materials are recycled.

Данные для заказа

Product code	Описание продукта	Упаковка (цена/шт.)	Размеры (длина x ширина x высота)	Объем	Вес брутто
4058075259959	P DIM PAR16 3.4 W/930 GU10	Shipping carton box 10 шт. Folding carton box	257 mm x 110 mm x 70 mm	1.98 дм ³	598.00 g

The mentioned product code describes the smallest quantity unit which can be ordered. One shipping unit can contain one or more single products. When placing an order, for the quantity please enter single or multiples of a shipping unit.

Ссылки

Техническое описание продукта

Соответствие нормативам регулирования яркости см. на странице

▶ www.osram.com/DIM

Дополнительную информацию по продуктам и актуальную информацию по светодиодным лампам см

▶ www.osram.com/ledlamps

Гарантийные условия см. на странице

▶ www.osram.com/guarantee

Примечание

Subject to change without notice. Errors and omission excepted. Always make sure to use the most recent release.

OSRAM is distribution partner
of LEDVANCE of LAMPS

OSRAM

OSRAM GmbH
Marcel-Breuer-Strasse 6
80807 Munich, Germany