



MHN-TD



MHN-TD 70W/730 RX7s 1CT/12

Double-ended quartz Metal-halide lamp

Warnings and Safety

- Use only in totally enclosed luminaire, even during testing (IEC61167, IEC 62035, IEC60598)
- The luminaire must be able to contain hot lamp parts if the lamp ruptures
- Control gear must include end-of-life protection (IEC61167, IEC 62035)
- A lamp breaking is extremely unlikely to have any impact on your health. If a lamp breaks, ventilate the room for 30 minutes and remove the parts, preferably with gloves. Put them in a sealed plastic bag and take it to your local waste facilities for recycling. Do not use a vacuum cleaner.

Product data

General Information	
Cap-Base	RX7s
Operating Position	P45 [Parallel +/-45D or Horizontal(HOR)]
Flux measurement reference	Sphere
Life to 50% Failures (Nom)	9,000 hour(s)
Light Technical	
Color Code	730 [CCT of 3000K]
Luminous Flux	5,800 lm
Color Designation	Warm White (WW)
Chromaticity Coordinate X (Nom)	0.434
Chromaticity Coordinate Y (Nom)	0.398
Correlated Color Temperature (Nom)	3000 K
Luminous Efficacy (Rated) (Min)	67 lm/W
Luminous Efficacy (rated) (Nom)	75 lm/W
Color rendering index (CRI)	65
Arc Length O (Nom)	7.7 mm

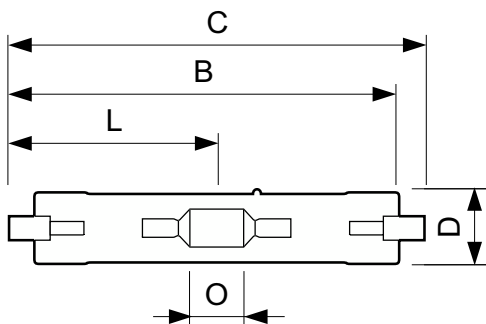
Operating and Electrical	
Power Consumption	77.0 W
Voltage (Nom)	90 V
Voltage (Nom)	90 V
Controls and Dimming	
Dimmable	No
Mechanical and Housing	
Bulb Finish	Clear
Bulb Shape	TD
Approval and Application	
Energy Efficiency Class	G
Mercury (Hg) Content (Max)	13.4 mg
Mercury (Hg) Content (Nom)	13.4 mg
Energy Consumption kWh/1000 h	77 kWh

MHN-TD

EPREL Registration Number	473286
Product Data	
Order product name	MHN-TD 70W/730 RX7s 1CT/12
Full product name	MHN-TD 70W/730 RX7s 1CT/12
Full product code	871829121530100
Order code	928482400092

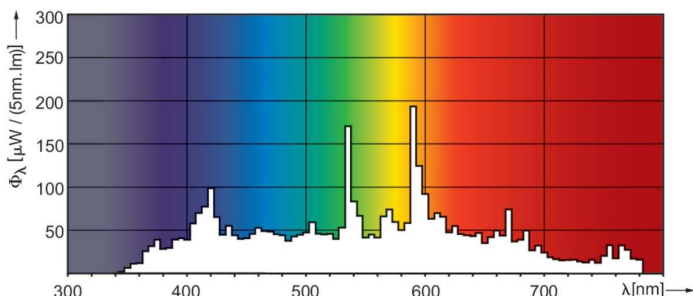
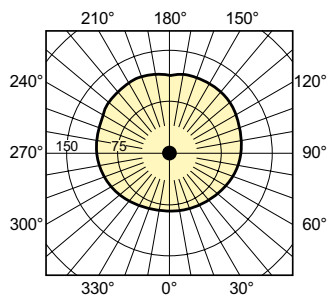
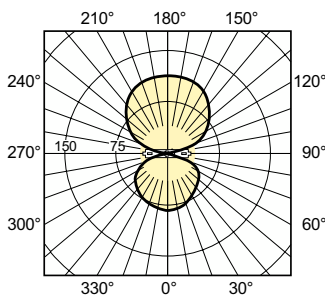
Material Nr. (12NC)	928482400092
Numerator - Quantity Per Pack	1
EAN/UPC - Product/Case	8718291215301
Numerator - Packs per outer box	12
EAN/UPC - Case	8718291215318

Dimensional drawing



Product	D (max)	D	O	C (max)
MHN-TD 70W/730 RX7s 1CT/12	19.5 mm	0.75 inch	7.7 mm	117.6 mm

Photometric data



Light Distribution Diagram - MHN-TD 70W/730 RX7s 1CT/12

Spectral Power Distribution Colour - MHN-TD 70W/730 RX7s 1CT/12

