

QTz8 2X36

QUICKTRONIC QTz8 | ECG for T8/26 mm linear fluorescent lamps



Product family features

- Supply voltage: 220...240 V
- Line voltage: 198...264 V
- Line frequency: 50 Hz | 60 Hz
- Energy Efficiency Index EEI: A2
- Number of lamp switching cycles: up to 3,500

Product family benefits

- Compact housing
- Automatic restart after lamp replacement

Areas of application

- Public buildings
- Sports halls
- Strip lighting
- Suitable for luminaires of protection class I

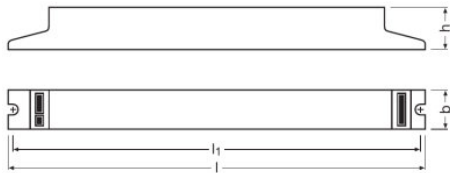
Technical data

Electrical data

Nominal voltage	220...240 V
Mains frequency	50/60 Hz
Maximum output power	2 x 36 W
Efficiency in full-load	91 % ¹⁾
Operating frequency	30...45 kHz

¹⁾ at 230 V, 50 Hz

Dimensions & weight



Length	210.0 mm
Width	40.0 mm
Height	30.0 mm
Mounting hole spacing, length	200.0 mm
Product weight	140.00 g

Temperatures & operating conditions

Ambient temperature range	-15...+50 °C
Permitted rel. humidity during operation	5...85 % ¹⁾

¹⁾ Maximum 56 days/year at 85 %

Lifespan

ECG lifetime	30000 h ¹⁾
--------------	-----------------------

¹⁾ At maximum T_c / 10% failure rate

Product datasheet

Expected Lifetime

Product name				
QTz8 2X36	ECG ambient temperature [ta]	50	-	-
	Temperature at tc-point [°C]	75	-	-
	Lifetime [h]	30000 ¹⁾	-	-

¹⁾ Max. 10% failure rate at tc max

Additional product data

Suitable for lamp power (2 lamps)	36 W
-----------------------------------	------

Capabilities

Suitable for fixtures with prot. class	I
Max. cable length to lamp/LED module	2.0 m / 1.0 m
Dimmable	No
Intended for no-load operation	No

Certificates & standards

Approval marks – approval	CE / CQC
EEL – Energy Label	A2
Protection class	I
Type of protection	IP20

Logistical data

Commodity code	85041080900
----------------	-------------

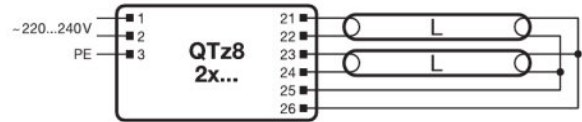
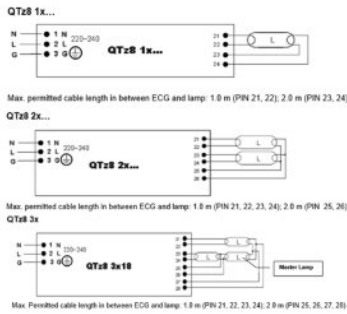
Environmental information

Information according Art. 33 of EU Regulation (EC) 1907/2006 (REACH)	
Date of Declaration	07-09-2023
Primary Article Identifier	4008321863324
Candidate List Substance 1	Lead
CAS No. of substance 1	7439-92-1
Safe Use Instruction	The identification of the Candidate List substance is sufficient to allow safe use of the article.
Declaration No. in SCIP database	065de10a-d1f3-47e7-96c3-babb22cdd794

Wiring Diagram

QUICKTRONIC® QTz8

TYPE	QTz8 1x1	QTz8 1x2	QTz8 2x1	QTz8 2x2	QTz8 2x3	QTz8 2x4
LED	34 x 34	34 x 34	34 x 34	34 x 34	34 x 34	34 x 34
WATTAGE	30 W (34 x 34)	30 W (34 x 34)	30 W (34 x 34)	30 W (34 x 34)	30 W (34 x 34)	30 W (34 x 34)
Power	< 20 A	< 20 A	< 20 A	< 20 A	< 20 A	< 20 A
Cap	130 µs	130 µs	130 µs	200 µs	200 µs	200 µs



590718_EAC QTz8

723141_Wiring Diagram QTz8 2x...

Additional product information

- In order to achieve good radio interference suppression:1. Keep the cable between ECG and lamp as short as possible.2. The single lamp wires must be routed as close as possible to each other, whereas the lines of the different lamp ends must be routed separately.

Download Data

File	
	User instruction QUICKTRONIC QTz8
	Product Datasheet 502688_ECG lifetime - QUICKTRONIC non DIM
	Certificates QTz CE 3384570 190821
	Certificates 592319_EAC certificate for Quicktronics QT
	Certificates CB Test Certificate CN42990
	Declarations of conformity 504183_DoC QTz8

Product datasheet

Ecodesign regulation information:

Separate control gear and light sources must be disposed of at certified disposal companies in accordance with Directive 2012/19/EU (WEEE) in the EU and with Waste Electrical and Electronic Equipment (WEEE) Regulations 2013 in the UK. For this purpose, collection points for recycling centres and take-back systems (CRSO) are available from retailers or private disposal companies, which accept separate control gear and light sources free of charge. In this way, raw materials are conserved and materials are recycled.

Logistical Data

Product code	Product description	Packaging unit (Pieces/Unit)	Dimensions (length x width x height)	Volume	Gross weight
4008321863324	QTz8 2X36	Shipping carton box 20	228 mm x 189 mm x 177 mm	7.63 dm ³	2957.00 g

The mentioned product code describes the smallest quantity unit which can be ordered. One shipping unit can contain one or more single products. When placing an order, for the quantity please enter single or multiples of a shipping unit.

Disclaimer

Subject to change without notice. Errors and omission excepted. Always make sure to use the most recent release.

QTz8 2X36

QUICKTRONIC QTz8 | ECG for T8/26 mm linear fluorescent lamps

Product name	Lamp group	Nominal current	Nominal wattage + Power loss	Power factor λ [PIM]	Luminous flux at 35 °C	Number of lighting outlets
QTz8 2X36	L 36 W	0.32 A	71.00 W	0.98	3200 lm	2