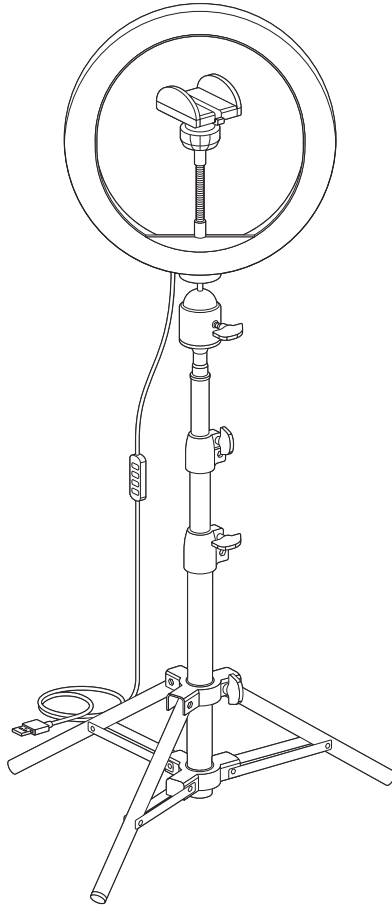

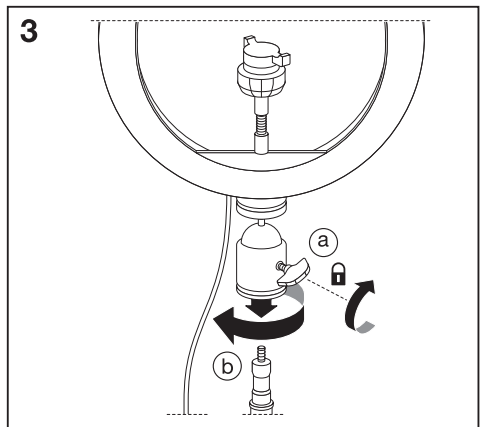
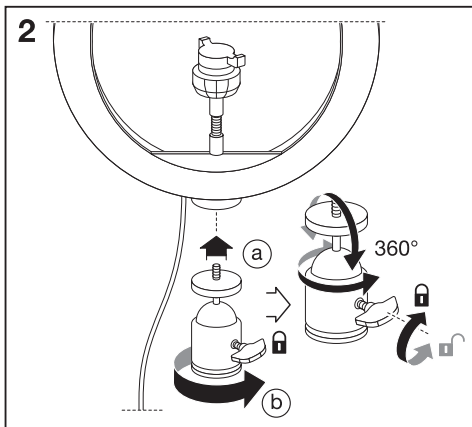
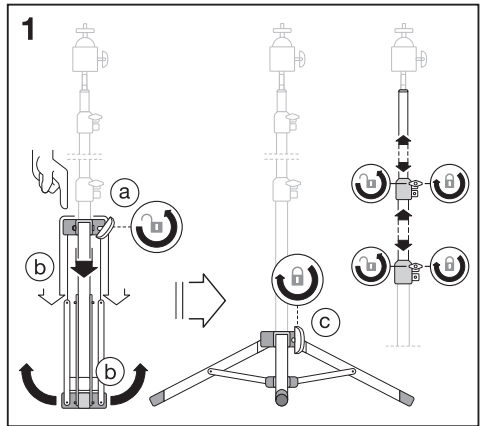
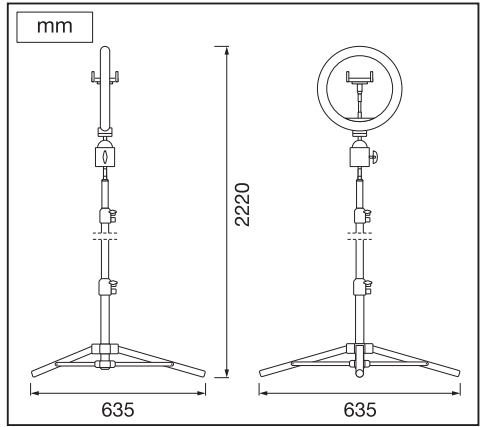
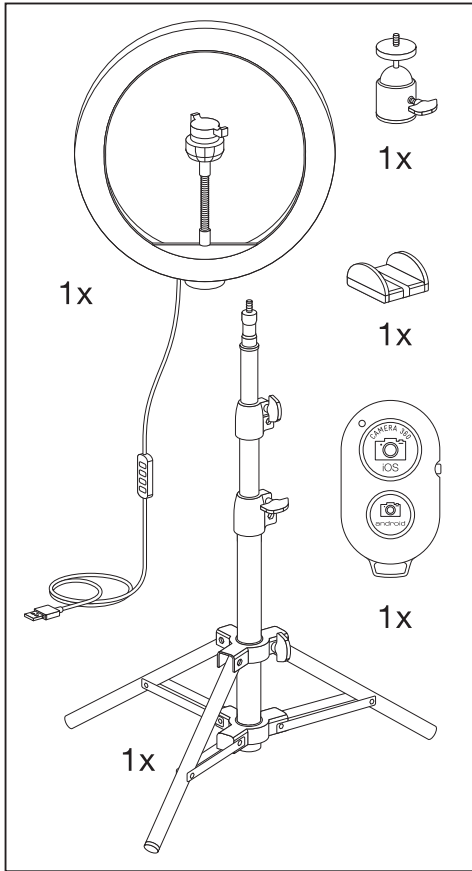
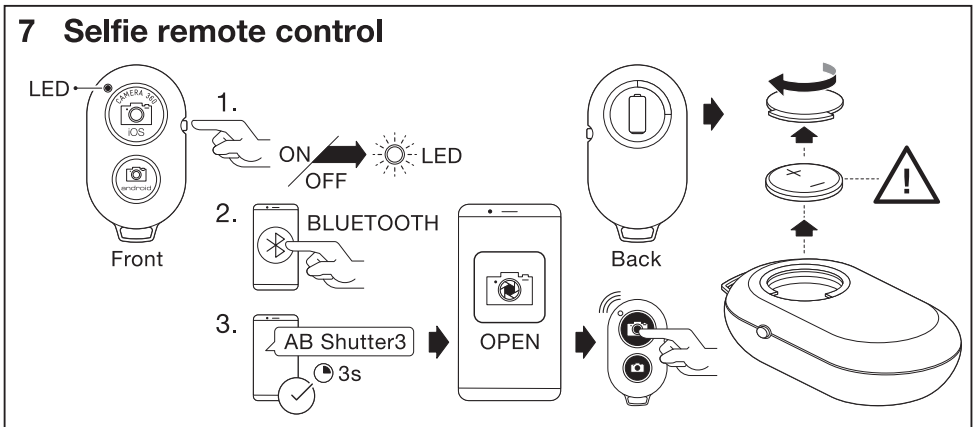
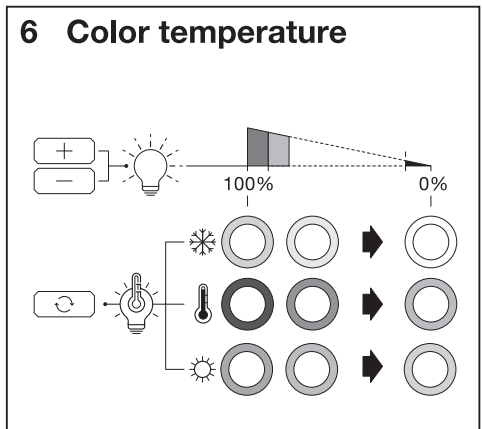
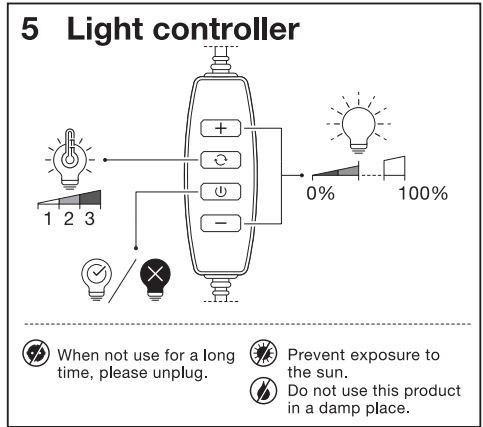
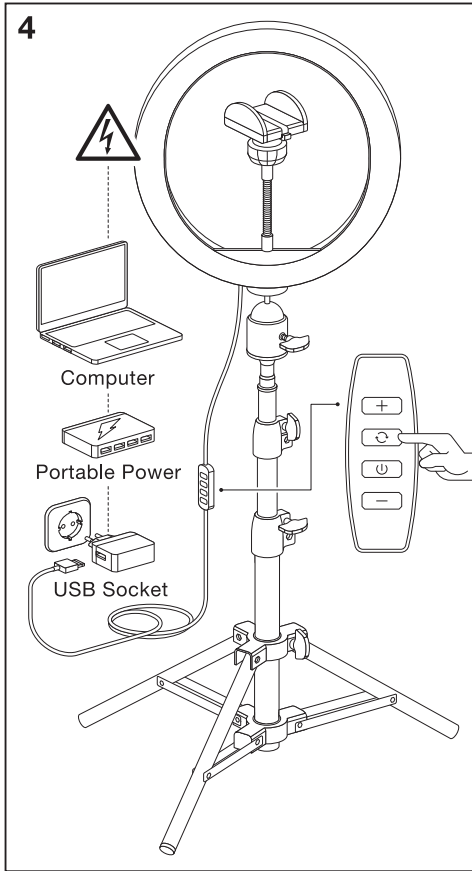
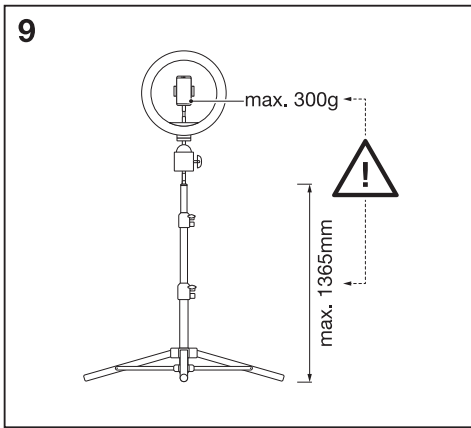
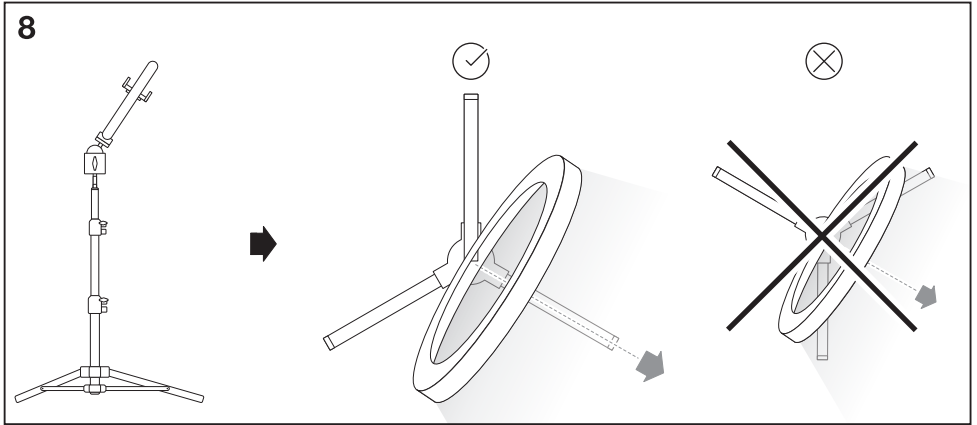

**MOBILE CAMERA
LIGHT RING 2100 USB**



	EAN	W	Im	K	θ_{amb} (°C)	V_{dc}	mA	
MOBILE CAMERA LIGHT RING 2100 USB	4058075668515	6	265	3000- 6500	-20...+40	5	1200	950 g







	EAN	This product contains a light source of energy efficiency class	Contained Light Source
MOBILE CAMERA LIGHT RING 2100 USB	4058075668515	F	



C10449057
G11124645
11.11.2021



LEDVANCE GmbH
Steinerne Furt 62
86167 Augsburg, Germany
www.ledvance.com